

<THESE INSTRUCTIONS MUST BE GIVEN TO THE END USER>



B&W Trailer Hitches
 1216 Hawaii Rd / PO Box 186
 Humboldt, KS 66748
 P:800.248.6564
 F:620.869.9031

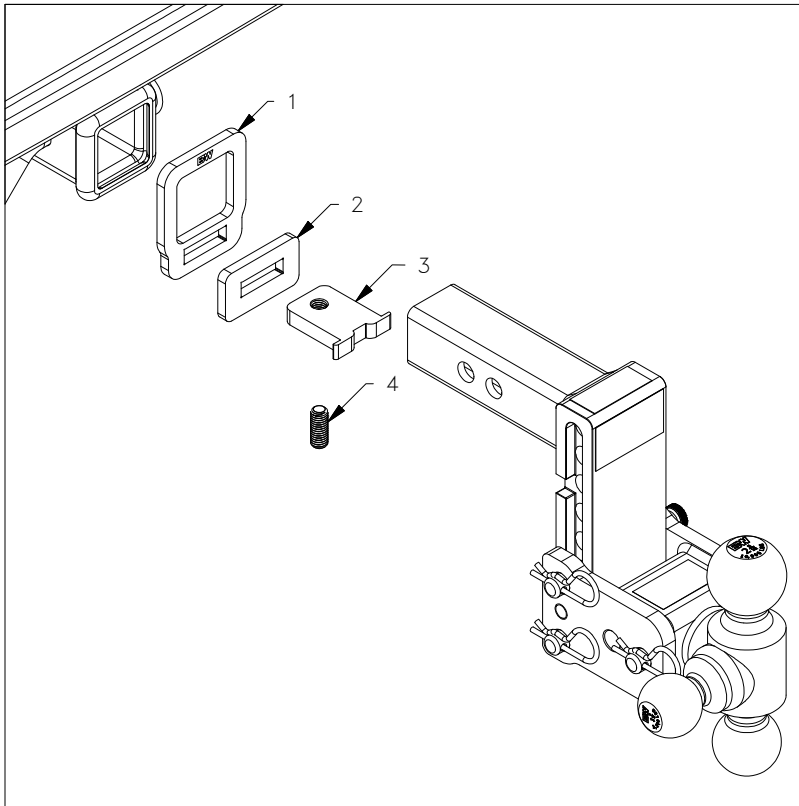
Call or Email us for
 Installation Support
 hitches@turnoverball.com
 bwtrailerhitches.com

See Limited Lifetime Warranty at
bwtrailerhitches.com/warranty

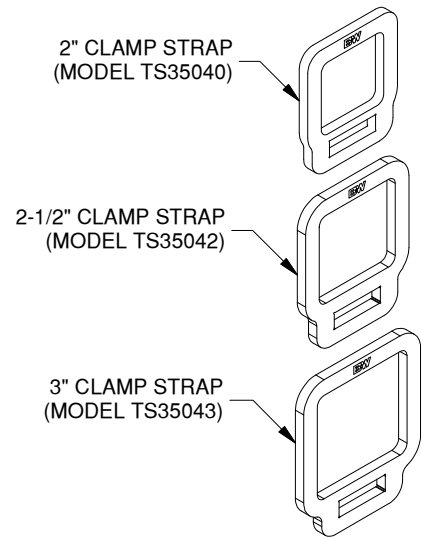
Receiver Hitch Silencer Installation Instructions

MODELS TS35040
 TS35042
 TS35043

2", 2-1/2", & 3" RECEIVER HITCH SILENCER



PARTS LIST		
ITEM	DESCRIPTION	QTY
1	Clamp Strap	1
2	Spacer Block	1
3	Clamp Block	1
4	1/2" x 1-1/4" Set Screw	1
	1/2" x 3/4" Set Screw (TS35040 only)	1



⚠ WARNING

Failure to comply with the safety information in these instructions could result in serious injury or death.

- ⚠ Read all installation and operating instructions along with all labels before using this product.
- ⚠ Without proper knowledge, towing can be a dangerous activity. Understand all the risks involved with towing before proceeding. For information on towing safety, see **"The Trailer Handbook: A Guide to Understanding Trailer and Towing Safety"** from the National Association of Trailer Manufacturers, www.NATM.com and your trailer manufacturer's owner's manual.
- ⚠ Do not exceed tow or tongue rating of coupler, tow or tongue rating of hitch, or tow or weight ratings of truck or trailer. See vehicle and trailer manufacturer information for ratings. Exceeding these ratings may cause damage to towing components or loss of attachment between the trailer and truck.
- ⚠ Do not modify this product in any manner. Doing so could alter its integrity and cause it not to function properly.
- ⚠ This product was designed to fit vehicles in their original, "as manufactured" condition. Compatibility with vehicles having replacement parts, or other modifications is not guaranteed. Inspect vehicle for modifications before installation of this product.
- ⚠ A visual inspection of the hitch should be performed before each time you tow. Regularly check that all pinned connections are secure, and that all bolted connections are at the correct torque specification. Check for cracks or damage to the hitch. Do not tow with the hitch if cracks or damage outside of normal wear is found. Towing with a hitch that has cracks or damage could result in damage to the tow vehicle, trailer, towing components or loss of attachment between the tow vehicle and trailer.

PREPARE TO INSTALL

1. **Compatibility:** This product is designed to accommodate most receiver hitch towing accessories with a shank that provides at least a 1/2" of clearance between the receiver hitch and the accessory when pinned, see Figure A1.

Products which are not compatible include:

All B&W Multi-Pro Tow and Stow hitches.
B&W receiver reducer sleeve 2-1/2" to 2".
All Weight distribution hitches.

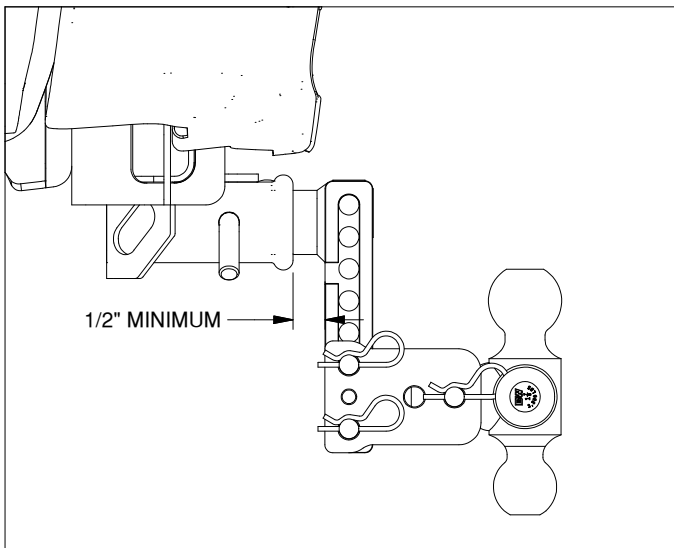


Figure A1: Typical towing accessory.

INSTALL SILENCER

1. **Identify spacer block orientation:** The spacer block has two different thicknesses on each side of the slot. Ensure that the **thinner side** is positioned between the shank and the clamp block **when using a 2" or 3" receiver hitch**, and use the **thicker side** **when using a 2-1/2" receiver**, see Figure B1.

NOTE: Do not use the spacer block if there isn't enough space to secure the towing accessory with a pin while the spacer block is installed.

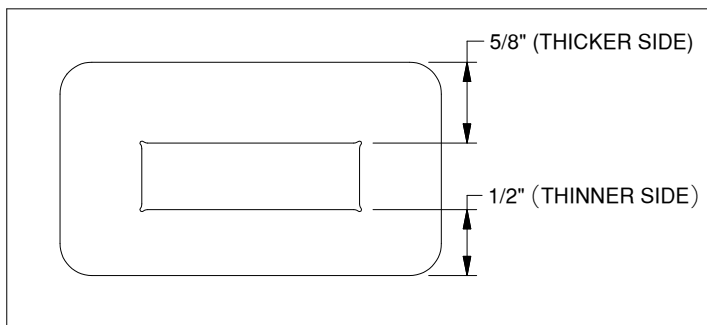


Figure B1: Spacer block.

2. **Assemble the Silencer:** Insert the clamp block through the slots in the spacer block (if needed) and clamp strap, see Figure B2.

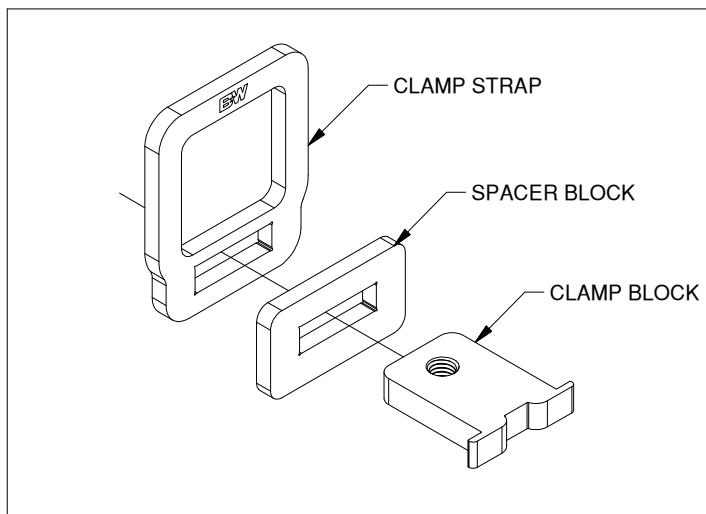


Figure B2: Silencer assembly (2" configuration).

3. **Prepare clamp block:** Thread the set screw into the clamp block so it can be tightened from under the vehicle when installed.
4. **Install towing accessory:** Place the silencer assembly over the shank of the towing accessory so the clamp block will be under the receiver. Install the towing accessory into the receiver hitch and secure with a hitch pin.
5. **Secure the silencer:** Push the clamp strap against the receiver. Securely tighten the set screw under the receiver, see Figure B3.

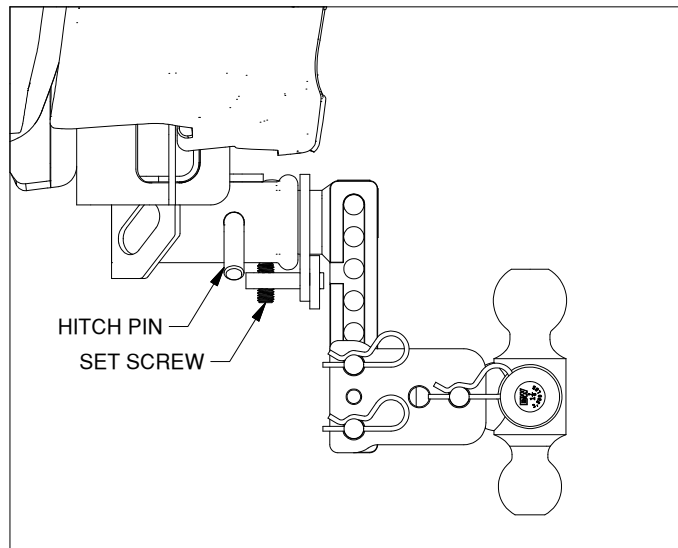


Figure B3: Towing accessory installation.

NOTE: If installing a model 6 Tow and Stow in a 2" receiver, use the provided 3/4" long set screw to allow clearance for the ball to stow.